

# 65W Industrial Power Supply

**Q65B-Wall Mount Type**  
15-21V Max. 65.5W



**SAFETY APPROVALS** CE, FCC

## FEATURES

100-240VAC Universal Input  
Meet CEC, Energy Star 3.0 (EPA/DOE—Level VI)  
UK/EU/US/AU interchangeable AC plugs  
3 Years Warranty

Model	O/P Voltage	O/P Current	Watt	Model	O/P Voltage	O/P Current	Watt
Q65B-150004000	15.0V	4A	60W	Q65B-195003330	19.5V	3.33A	65W
Q65B-150003000	19.0V	3.42A	65W	Q65B-200003250	20.0V	3.25A	65W

## INPUT CHARACTERISTICS

Rated Input Voltage ..... 100-240V AC  
Rated Frequency ..... 50/60Hz  
Steady AC Current ..... 1.5A(Max) Measured at 100Vac input  
Inrush Current ..... Less than 50A  
Empty Loaded Wasting ..... 150mW

## SAFETY STANDARDS

LVD ..... UL62368-1/UL60950-1  
IEC62368-1/IEC60950-1 EN62368-1  
EMC & EMI ..... EN55032 EN55024 EN61000-3-2  
EN61000-3-3

## RELIABILITY ITEMS

Hi-Pot Test ..... AC 3000V1min between  
input plug-DC plug  
Leakage Current ..... 0.25mA max at nominal AC input voltage  
and frequency  
Temperature Rise ..... Case surface rise 95°C or less

## OUTPUT CHARACTERISTICS

Power ..... 65.5W MAX  
Load Regulation ..... ±5%  
Turn on delay time ..... 3s Max at AC 115V, Max output load  
Hold up time ..... 5ms Min at AC 115V, Max output load  
Rise up time ..... 40ms Max at AC 115V, Max output load  
Efficiency ..... Meet CEC, Energy Star 3.0  
(EPA/DOE—Level VI)

## PROTECTION

Over Voltage Protection ..... Auto Recovery  
Short Circuit Protection ..... Auto Recovery  
Over Current Protection ..... Auto Recovery  
Protection Class ..... Class II

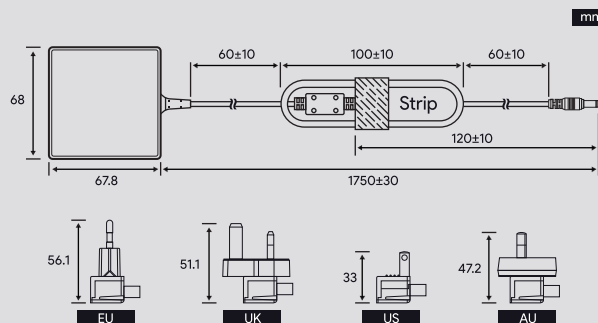
## ENVIRONMENTAL

Operation Temperature ..... -10 °C – 40 °C  
Storage Temperature ..... -25 °C – 70 °C  
Operation Humidity ..... 5% ( 0°C ) ~ 90% ( 40°C )  
Storage Humidity ..... 5%~ 95%

## MECHANICALS

Cable  
UL1185  
18AWG,  
1750mm

Case Material  
UL94-V1



### Case Dimension

### Weight

L67.8\*W68\*H30.1mm

EU(V) 242g (Ref.)  
UK(B) 247g (Ref.)  
US(U) 242g (Ref.)  
AU(S) 242g (Ref.)